

# **SAFE-AID TS 7000 TELESCOPIC CRANE OPERATORS MANUAL VERSION IV**

## **! WARNING !**

THE PURPOSE OF THIS MANUAL IS TO PROVIDE THE CUSTOMER WITH THE OPERATING PROCEDURES ESSENTIAL FOR THE PROMOTION OF PROPER MACHINE OPERATION FOR ITS INTENDED USE. THE IMPORTANCE OF PROPER USAGE CANNOT BE OVERSTRESSED. ALL INFORMATION IN THIS MANUAL SHOULD BE READ AND UNDERSTOOD BEFORE ANY ATTEMPT IS MADE TO OPERATE THE MACHINE.

SINCE THE MANUFACTURER HAS NO DIRECT CONTROL OVER MACHINE APPLICATION AND OPERATION, CONFORMANCE WITH GOOD SAFETY PRACTICE IN THIS AREA IS THE RESPONSIBILITY OF THE USER AND HIS OPERATING PERSONNEL.

ALL PROCEDURES ARE BASED ON THE USE OF THE SYSTEM UNDER PROPER OPERATING CONDITIONS, WITH NO DEVIATIONS FROM THE ORIGINAL DESIGN. ALTERATION AND OR MODIFICATION OF THE EQUIPMENT IS STRICTLY FORBIDDEN WITHOUT PRIOR WRITTEN APPROVAL FROM ELEC-MECH (PTY) LTD.

THE SAFE-AID TS7000 (RATED CAPACITY INDICATOR (RCI)/LOAD MOMENT INDICATOR (LMI)) IS ONLY TO BE REGARDED AS AN AID TO THE OPERATOR. WHEN THE PARAMETERS ARE SET CORRECTLY, THE INDICATOR WILL WARN THE CRANE OPERATOR OF AN APPROACHING OVERLOAD CONDITION OR A CONDITION THAT COULD CAUSE DAMAGE TO EQUIPMENT, PROPERTY, AND/OR INJURY TO THE OPERATOR OR THE SITE WORKERS IN THE VICINITY OF THE CRANE AND ITS LOAD.

THIS SYSTEM UNDER NO CIRCUMSTANCES MUST BE USED AS A SUBSTITUTE FOR THE GOOD JUDGEMENT OF A CRANE OPERATOR WHEN CARRYING OUT APPROVED CRANE-OPERATING PROCEDURES, THEREFORE THE RESPONSIBILITY FOR THE SAFE OPERATION OF THE CRANE LIES WITH THE CRANE OPERATOR. THE SYSTEM WILL NOT NECESSARILY PREVENT DAMAGE DUE TO OVERLOADING AND RELATED CAUSES, IF NOT SET PROPERLY.

BEFORE OPERATING A CRANE EQUIPPED WITH A SAFE-AID TS7000 RCI THE OPERATOR MUST READ THE INFORMATION IN THIS MANUAL CAREFULLY. CORRECT FUNCTIONING OF THE SYSTEM DEPENDS UPON ROUTINE DAILY INSPECTION AND ANY SUSPECTED FAULTS OR APPARENT DAMAGE SHOULD BE IMMEDIATELY REPORTED TO THE RESPONSIBLE PERSON BEFORE USING THE CRANE.

# Contents

SYSTEM USE.....	3
SYSTEM STARTUP – FIGURE 2 & 3 .....	4
TILT OR LEVEL SET-UP – FIGURE 4 .....	5
5TH OUTRIGGER (FRONT JACK) SELECTION – FIGURE 5.....	6
MAIN OR AUXILARY WINCH SELECTION – FIGURE 6 .....	7
PROGRAM SELECT – FIGURE 7.....	8
REEVING – FIGURE 8.....	9
DEDUCTIONS – FIGURE 9 & 10 .....	10
OPERATING SCREENs – FIGURE 11, 12, 13 & 14.....	11
ERROR MESSAGES - FIGURE 15 AND TABLE #1 .....	14
SAFE-AID TS7000 SYSTEM ERROR TABLE – TABLE #1 .....	15
WORKING OPERATIONS – FIGURE 16 & 17 .....	18
INDICATING STATUS LIGHTS AND DUMP OUTPUT (LEVER CUT-OFF) – TABLE # 2.....	21
TOUCH SCREEN CALIBRATION – FIGURES 18, 19 & 20.....	23
WIND SPEED SETUP – FIGURES 21, 22 & 23 .....	25
PROGRAM & REEVING LOCKOUT – FIGURES 24, 25, 26 & 27 .....	26
QUICK USE FLOW CHART .....	28
INSTALLATION DETAILS .....	30

## SYSTEM USE

The TS7000 unit is designed with ease of operation in mind. The crane setup is selected and confirmed by the operator before the system goes into its normal operating/monitoring screen requiring no further input from the operator unless the crane configuration changes. Before this is done the crane will remain in safe mode, i.e. the dump circuit will be operational (if the crane has a dump system fitted). All inputs to the system are done by the operator via the touch screen including the buzzer override function and momentary bypass. The touch screen is sensitive to touch therefore it is **not** necessary to **push hard** on the screen (*if touch screen does not work or selects incorrectly see Touch Screen Calibration*).

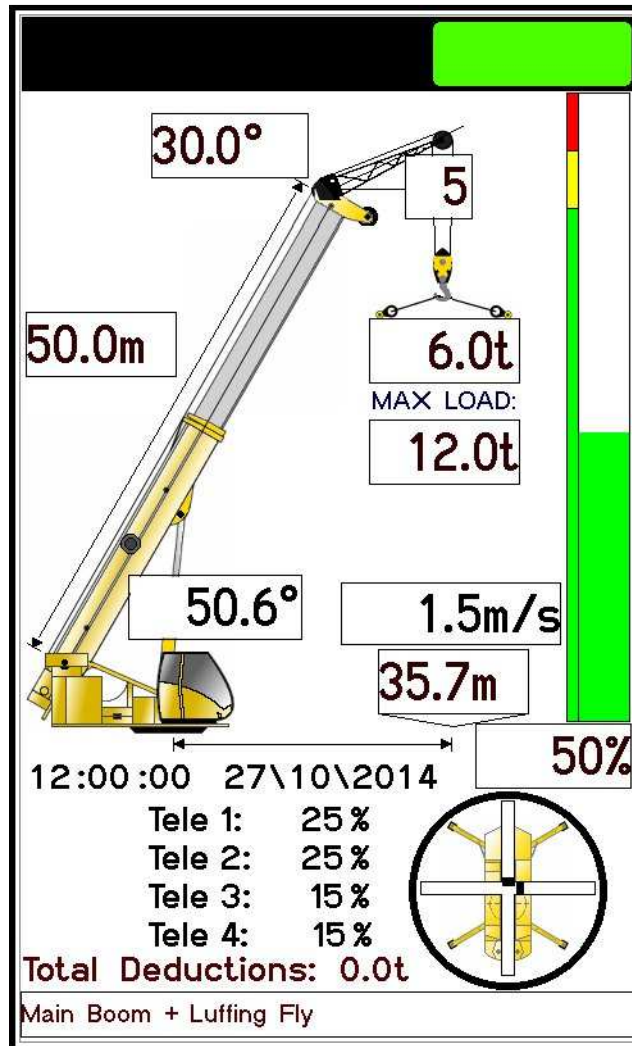


Figure 1

## SYSTEM STARTUP - FIGURE 2 & 3

The TS7000 display (LMI) will automatically come on when you switch the crane on and the buzzer will sound once. The system will run a CRC (cyclic redundancy check) to make sure that all raw data is correct.

Once the system has completed the CRC the buzzer will sound again and a set of internal diagnostics (watchdogs) will be utilised to verify that all inputs and outputs are working correctly.

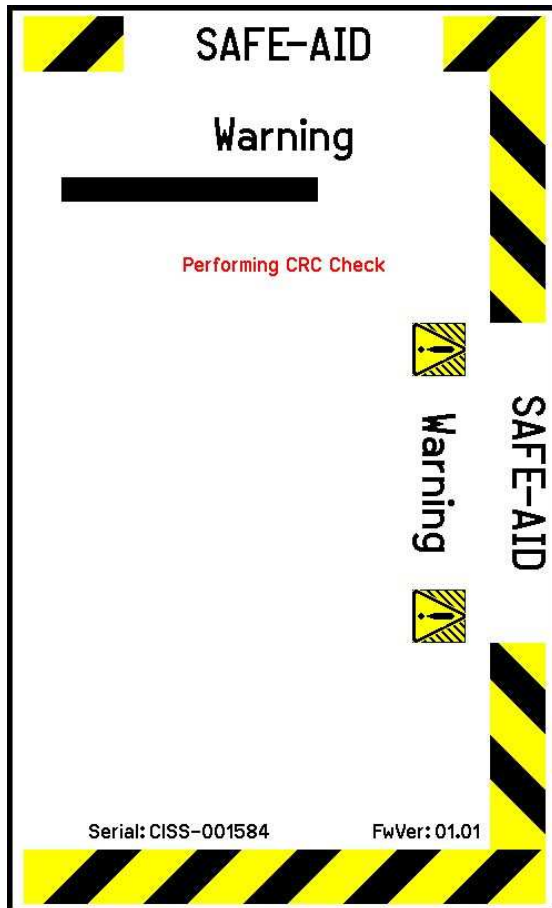


Figure 2

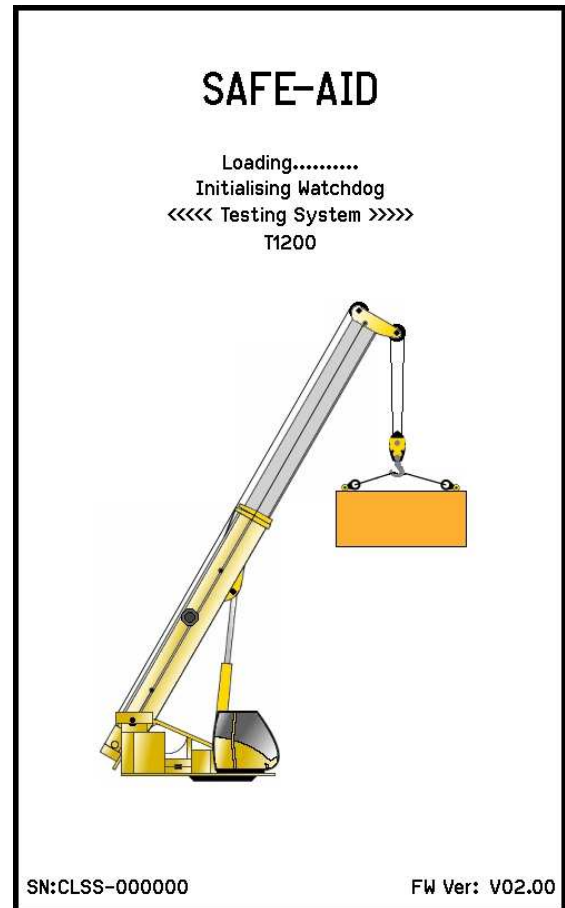


Figure 3

## TILT OR LEVEL SET-UP – FIGURE 4

*This step will be skipped in the following conditions:*

- *No tilt board is fitted*
- *Tilt board is fitted but no tilt values have been entered*

The following option is to determine whether the crane is level along the X & Y axis. Level the machine using the dark black lines running along the axis lines. The machine will be level once the lines are as close to the centre forming a cross. Press the **Exit** button to continue.

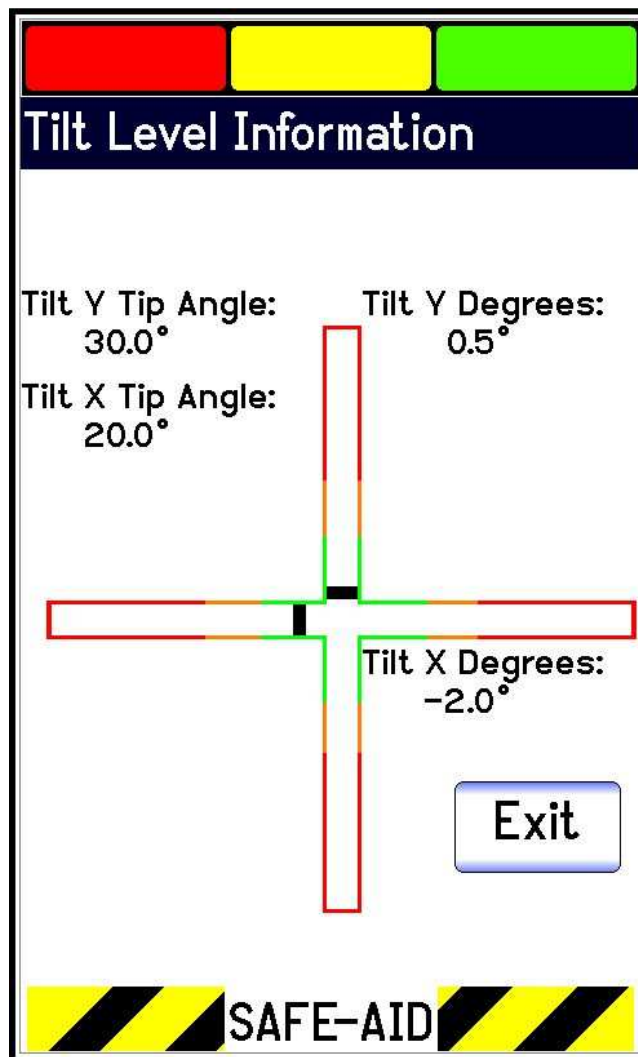


Figure 4

## 5TH OUTRIGGER (FRONT JACK) SELECTION - FIGURE 5

*This step will be skipped in the following conditions:*

- *The crane is not fitted with a 5th outrigger.*
- *The 5<sup>th</sup> outrigger is automatically monitored by a switch.*

Some truck mount cranes are fitted with a 5th outrigger (front jack) which can be extended (down) or retracted (up). This influences the rated capacities when working over the front of the crane either by decreasing the capacities or giving a slew error when the 5th outrigger is retracted (Figure 3). Simply key the option required - if the 5th outrigger is **down** then select **extended** if it is **up** select **retracted**.

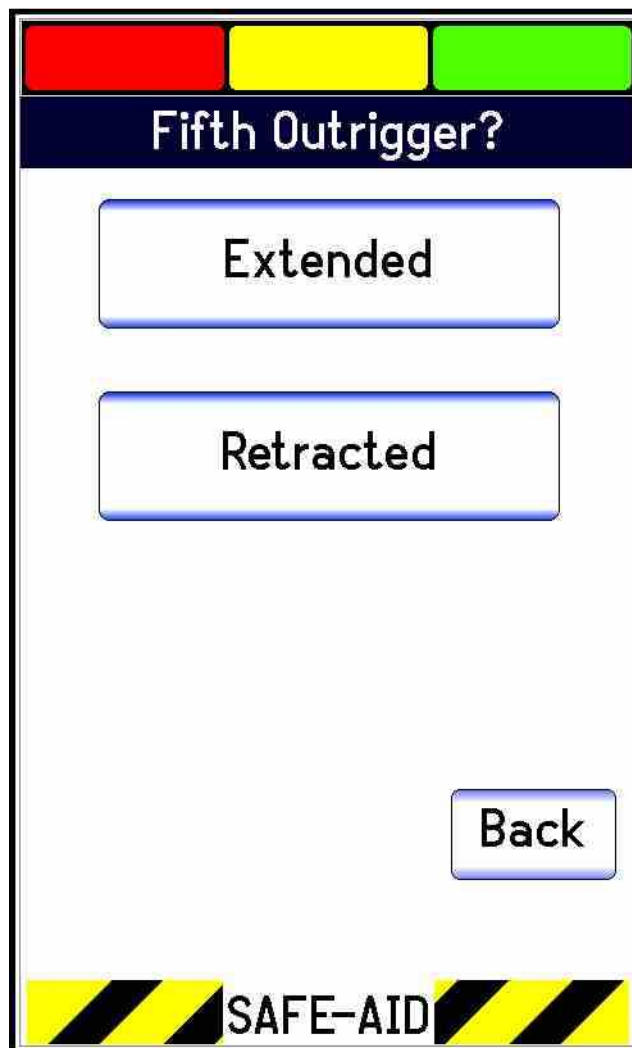


Figure 5

## MAIN OR AUXILIARY WINCH SELECTION – FIGURE 6

*This step will be skipped in the following conditions:*

- *The system has been programmed with only one winch.*
- *The program selection has been fixed in rigging mode.*

The following option is to determine whether the main winch or the auxiliary winch is being used for lifting. Simply key the option required - if the main winch is being used select **Main** and if auxiliary winch select **Aux**. To go back to the previous screen press the **Back**.

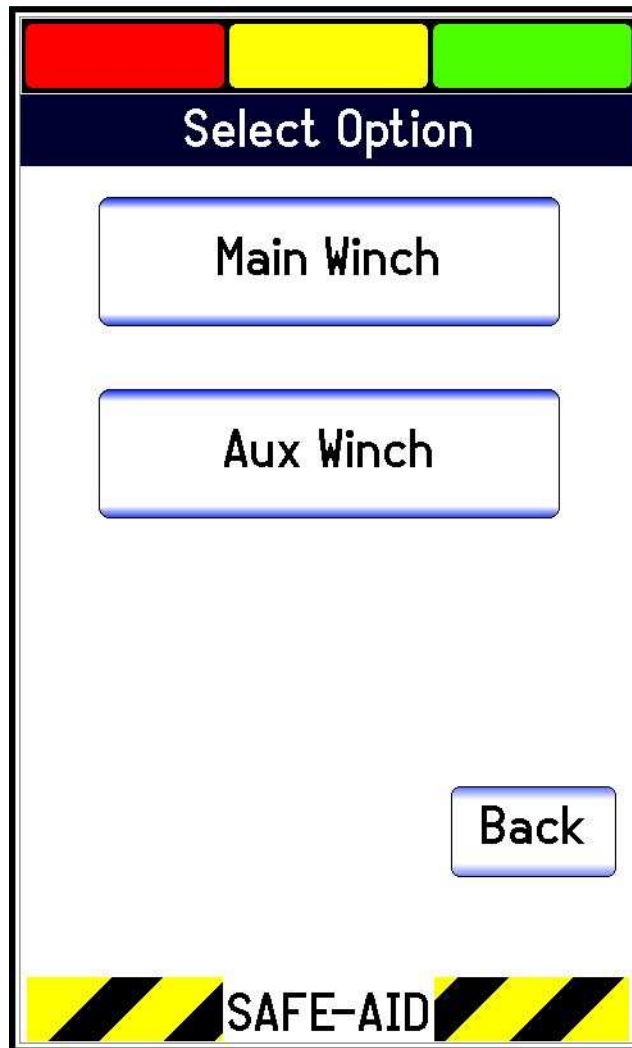


Figure 6

## PROGRAM SELECT – FIGURE 7

*This step will be skipped in the following conditions:*

- *The system has only one main or auxiliary program.*
- *The program selection has been fixed (see Program Lockout).*

Each program can be selected by pushing on the program name that is required; this will then highlight the selected program. If needed scroll down through the programs either using the up and down arrow keys or by running a finger up and down on the scroll bar on the left of the screen. This will enable scrolling through all the programs. Once the applicable program has been highlighted, press the Select button to select the desired program. Some manufacturers have telescoping monitoring conditions that may require the boom to be full retracted before changing program, in this case a **Retract Boom** message will be displayed when trying to change the program with the boom extended.

**The correct selection of the program is imperative as this determines the correct rated capacities and work areas. If selected incorrectly, a higher rated capacity than allowed could be selected for that crane configuration, this is very dangerous as it can cause the boom to bend / break or the crane to tip / fall over.**

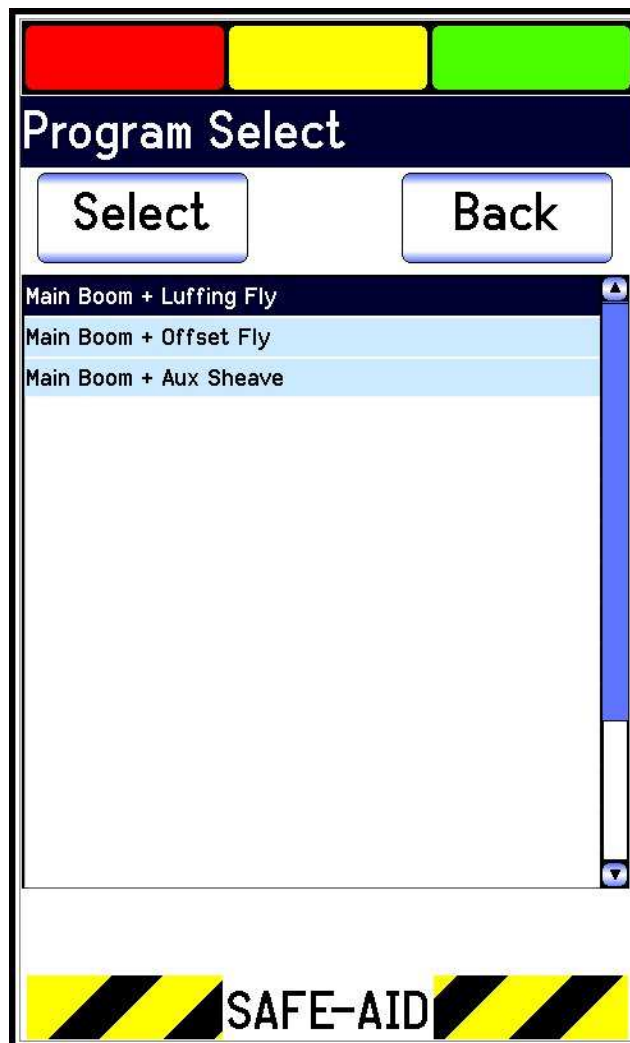


Figure 7

## REEVING – FIGURE 8

*This step will be skipped in the following conditions:*

- *The system has been programmed with fixed reeving.*
- *The reeving has been fixed in rigging mode.*
- *A fixed hook has been selected (cannot be reeved).*

After program selection, how many reeves (falls) the hook is reeved to (total parts of line between hook block and sheave wheels) must be selected. A numerical keypad will be displayed (Figure 8). Key in the number of reeves on the winch (i.e. Main or Aux), followed by the Enter key (e.g. if main winch was selected Reeving Main will be displayed). If the incorrect number is keyed in simply press the Clear button and start again. Once the Enter button is pressed the next selectable option or the operating screen will appear.

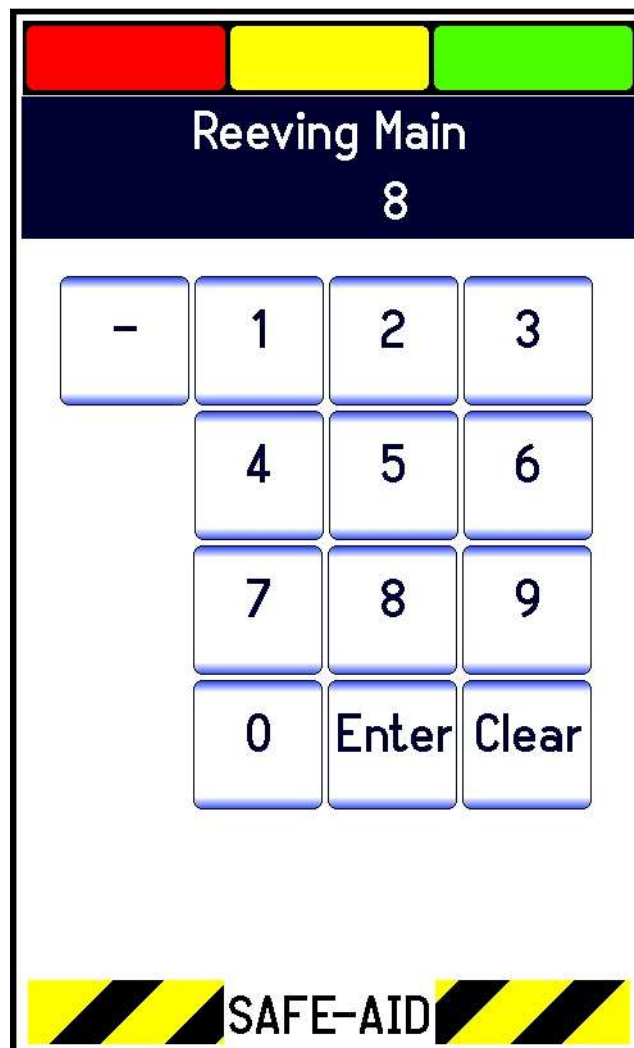
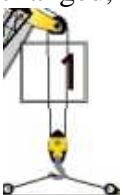


Figure 8

While working in the main running screen or if an error has been made and the reeving needs to be changed, press the block on the main running screen where the winch rope goes down to the lifted load and the system will respond by changing to the Reeving entry screen.



## DEDUCTIONS - FIGURE 9 & 10

*This step will be skipped in the following conditions:*

- *No deductions for the relevant program are available.*

On cranes where the main boom can be used with the fly jib erected or the main hook block is on while the fly jib is being used, the crane manufacturer may give deductions that must be taken off the rated load when using that particular configuration. The total of all the selected deductions will be shown in the working screen above the program name and will be automatically deducted from the rated capacity. This is done by the TS7000 once the correct options have been selected when prompted (figure 9). Press the deduction required and **Selected** will be displayed on the right of the selected deduction, if more than one deduction is required select all the deductions (figure 10). Once all the deductions have been selected press **Next** to continue.

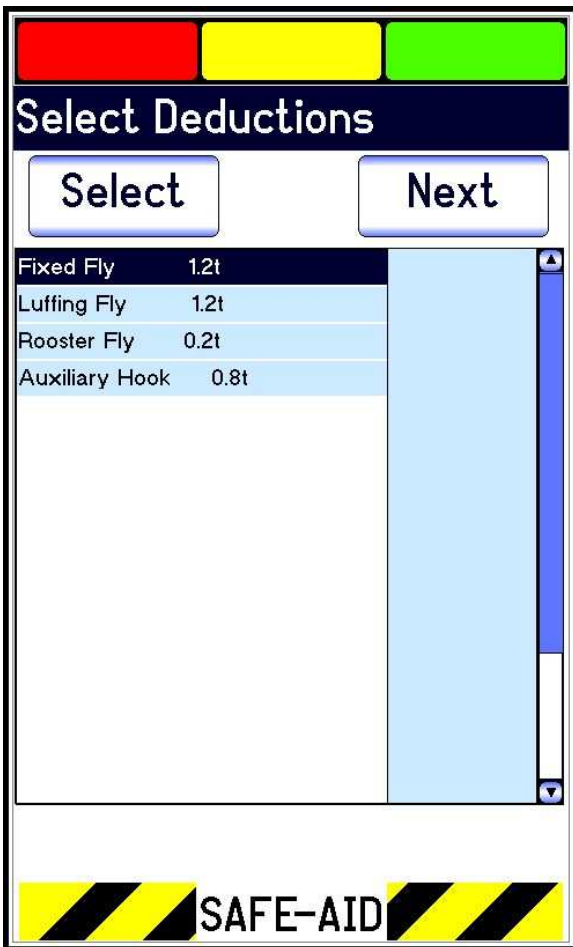


Figure 9



Figure 10

## OPERATING SCREENS - FIGURE 11, 12, 13 & 14

All the crane and system information can be viewed from here including all the parameters selected from power up. Should a different program need to be selected, press the crane graphic on the screen, the system will go back to the beginning as on system start up. Repeat the steps above.

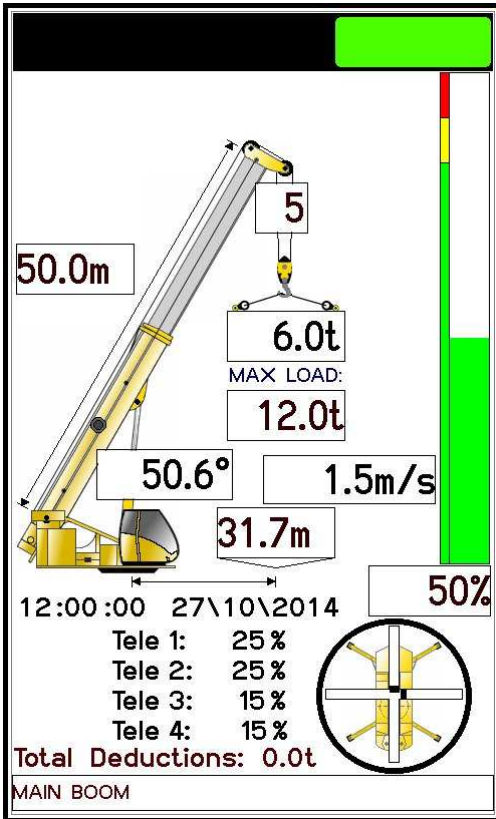


Figure 11

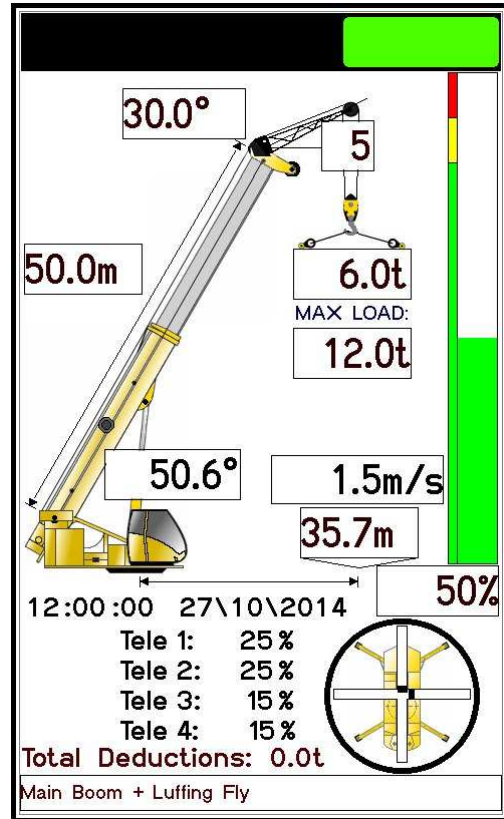


Figure 12

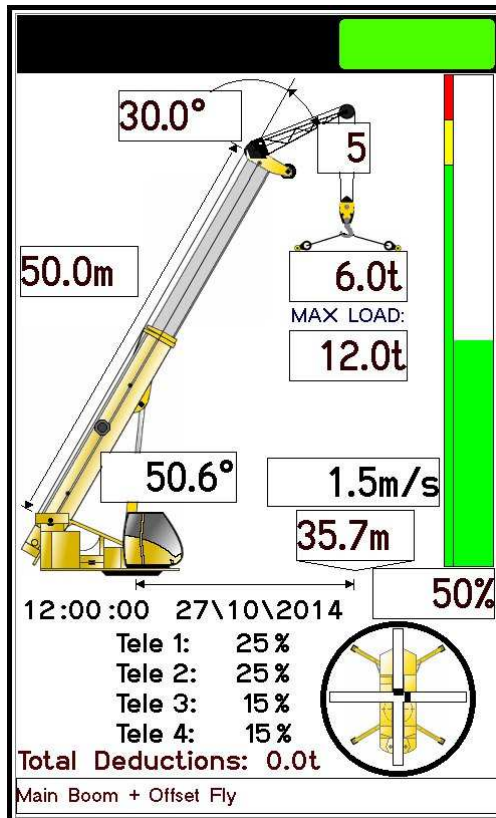


Figure 13

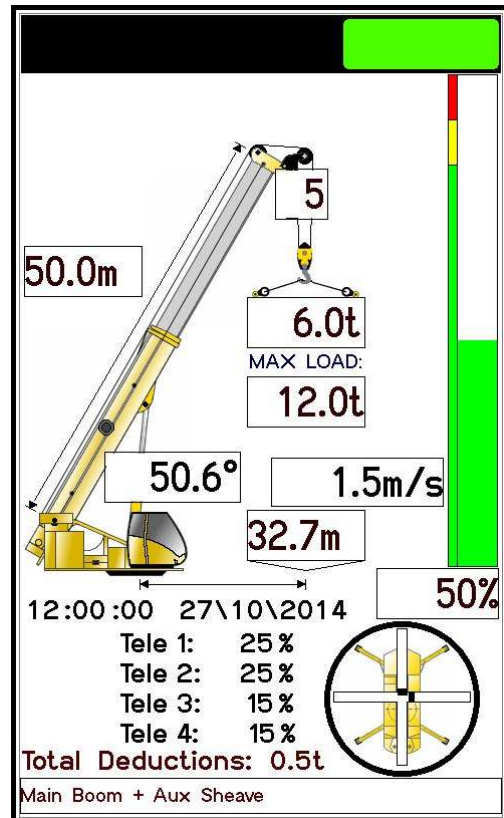


Figure 14

**In operating mode, you can see all the current parameters of the crane.**

MAIN BOOM

**Program:** This is the current program selected and all error messages will be displayed in this block (see error messages).



**Radius:** This is the current radius from centre line of rotation to the centre of the hook block (load) if the hook block (load) is suspended and hanging vertical.



**Lifted Load:** This is the load on the hook at the present time, if the green light and the load are flashing it is a tare load (the tare has been pressed).

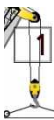
MAX LOAD:

12.0t

**Rated Capacity:** This is the load allowed to be picked up with the selected configuration at that current radius as specified by the manufacturer.



**Length:** This displays the current total main boom length.

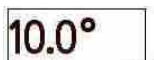


**Reeving:** This is the current reeving (number of falls) selected.

**Total Deductions: 1.2t** **Total Deductions:** This is the total load that is deducted (subtracted) from the rated capacity after the user has selected the ancillary lifting equipment that requires deduction as per the manufacturer's specifications.



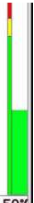
**Main Angle:** This displays the main boom angle.



**Fly Angle:** If a fly is fitted, the fly angle will be shown in the fly angle box. A fixed angle will be shown for a fixed fly and for a monitored fixed fly or luffing fly the angle will change as the fly angle changes. The fixed fly angle is measured relative to the main boom i.e. 0° being straight with the main boom and increasing as the offset to the main boom increases while the luffing fly angle is measured relative to ground level i.e. 0° is the fly jib parallel to the level ground.

50%

**Utilisation:** Percentage utilisation is the percentage of rated load used by the current lifted load.



**Utilisation Bar:** The percentage utilisation is also displayed graphically by a bar graph, going from green (0% - 89%), then amber (90% - 99%) and finally red (100% and above) increasing incrementally with the percentage utilisation.

12 :00:00

17 \09\2014

**Date & Time:** This is the current date and time but is an optional extra and will only be shown if a data logger (real time clock) is fitted.

1.0Knots

**Wind Speed:** This is the current windspeed (live value) in the units of measure selected.

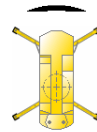
**Area Selection:** This is not user selectable and shows the current area the crane is working in:



360 Degrees



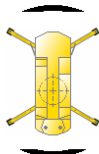
Over Side & Rear



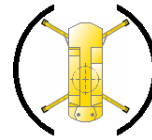
Direct over front



Direct Over Rear



Direct Over Front & Rear



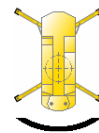
Over Side



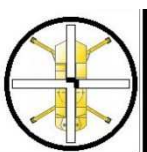
Over Front and Side



Over Front Outrigger to Outrigger



Over Rear Outrigger to Outrigger



**Level/Tilt:** The cross through the area selection represents the X & Y axis while the two lines in the axis are the positioning of the crane (see Tilt or Level setup).

## ERROR MESSAGES - FIGURE 15 AND TABLE #1

The TS7000 will sound a buzzer and the green block will be replaced by an orange or red block at the top of the screen if any error occurs on the system. These errors are displayed at the bottom of the screen e.g. Anti-2-Block where program selection is normally displayed. If more than one error occurs the errors will scroll on the bottom until rectified.

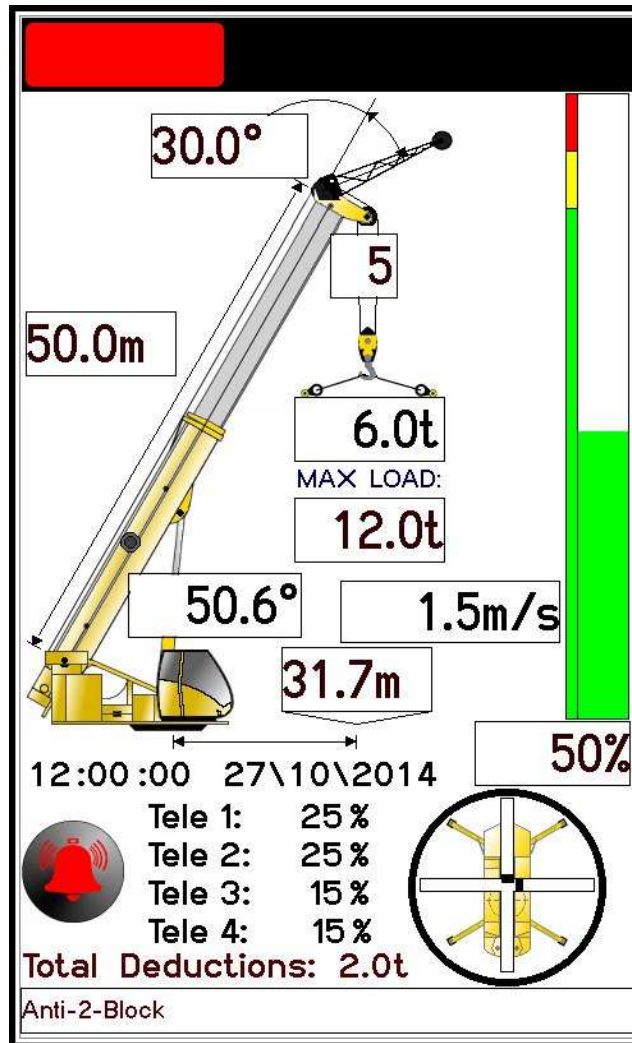


Figure 15

*For all the errors we have given indication of the problem and the common solutions, these can be done by the operator or an individual who has some basic crane knowledge. If the given solution does not work please contact the original installer or someone from our service network where we can try and help telephonically or send a technician to repair the system.*

**SAFE-AID TS7000 SYSTEM ERROR TABLE – TABLE #1**

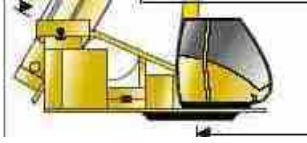
SCREEN DISPLAY	INDICATION	OPERATOR SOLUTION
<b>Slew Error</b>	Boom is not over an area covered by the current duty selected.	Slew the boom into a safe working area.
<b>High Angle</b>	The angle of the boom is above the crane manufacturer's maximum specification.	Lower boom.
<b>Low Angle</b>	The angle of the boom is below the crane manufacturer's minimum specification.	Raise boom.
<b>Length Exceeded</b>	The length allowed for your selected configuration has been exceeded or the length is above the maximum manufacturer's specified length.	Retract boom or check program selection correct.
<b>Extend Boom</b>	You are working below the specified working length for the selected boom configuration.	Extend boom to the correct working length & check program selection.
<b>M400 No Coms</b>	No communication between mother board and display.	Call installer or service technician.
<b>Anti-2-Block</b>	The main or auxiliary hook has been pulled up too close to the boom head sheave wheels.	Lower Main or Auxiliary Winch.
<b>Anti-2-Block Fly</b>	The hook has been pulled up too close to the fly jib tip sheave wheel.	Lower Auxiliary winch.
<b>Main A400 No Coms</b>	No communication between main angle board and motherboard/display.	Call installer or service technician.
<b>Aux A400 No Coms</b>	No communication between auxiliary angle board and motherboard/display.	Call installer or service technician.
<b>Overload</b>	The maximum rated capacity has been reached - you are in overload.	Move load into safe working position - winch down, boom up or retract boom.
<b>Telesequence Error</b>	The boom has been telescoped incorrectly NOT according to the manufacturer's specifications.	Retract boom fully and telescope according to the manufacturer's specifications.
<b>R400 No Coms</b>	No communication between relay board and motherboard/display.	Call installer or service technician.
<b>No Load Chart Data</b>	You are working out of the manufactures specified working range – incorrect working radius	Lower Boom to within the manufacturers specified working range.
<b>No Moment Value</b>	Pressure Error	No empty and loaded moment data at specific length and angle.
<b>Tilt Error X Axis</b>	Crane has tilted over maximum allowed tilt on the X axis (Left & right of carrier)	Level crane to within specified tilt range.
<b>Tilt Error Y Axis</b>	Crane has tilted over maximum allowed tilt on the Y axis (Front & rear of carrier)	Level crane to within specified tilt range.

SCREEN DISPLAY	INDICATION	OPERATOR SOLUTION
<b>Anti-2-Block Short Circuit</b>	There is a short circuit between the two A-2-B wires.	Call installer or service technician.
<b>Anti-2-Block Fly Short Circuit</b>	There is a short circuit between the two A-2-B wires on the fly jib.	Call installer or service technician.
<b>A400 Tilt No Coms</b>	No communication between A400 Tilt board and motherboard/display.	Call installer or service technician.
<b>O/R Front Left Error</b>	Front Left Outrigger is not extended to the correct length.	Extend Front Left Outrigger to correspond to program selection.
<b>O/R Front Right Error</b>	Front Right Outrigger is not extended to the correct length.	Extend Front Right Outrigger to correspond to program selection.
<b>O/R Rear Left Error</b>	Rear Left Outrigger is not extended to the correct length.	Extend Rear Left Outrigger to correspond to program selection.
<b>A400 Twin Length No Coms</b>	No communication between A400 Twin Length board and Main A400/motherboard/display.	Call installer or service technician.
<b>O/R Rear Right Error</b>	Rear Right Outrigger is not extended to the correct length.	Extend Rear Right Outrigger to correspond to program selection.
<b>Main Dump Short Circuit</b>	Short circuit on the Main Dump Output.	Call installer or service technician.
<b>Main Dump Open Circuit</b>	Open circuit on the Main Dump Output.	Call installer or service technician.
<b>Output #2 Short Circuit</b>	Short circuit on Output 2.	Call installer or service technician.
<b>Output #2 Open Circuit</b>	Open circuit on the Output 2.	Call installer or service technician.
<b>No Dump Supply</b>	No supply (power or ground) on the selected dump supply.	Check 5A dump fuse.
<b>A400 Windspeed No Coms</b>	No communication between A400 Windspeed board and Main A400/motherboard/display.	Call installer or service technician.
<b>Rope Overload</b>	The maximum line pull specified by the manufacturer has been exceeded.	Put Load down – check correct reeving selected.
<b>Maximum Windspeed</b>	Maximum wind speed limit specified by the manufacturer has been reached.	Check manufacturers limit has been set correctly.
<b>Output #3 Short Circuit</b>	Short circuit on Output 3.	Call installer or service technician.
<b>Output #3 Open Circuit</b>	Open circuit on the Output 3.	Call installer or service technician.
<b>Output #4 Short Circuit</b>	Short circuit on Output 4.	Call installer or service technician.
<b>Output #4 Open Circuit</b>	Open circuit on the Output 4.	Call installer or service technician.
<b>Output #4 Error</b>	Error on Output 4.	Call installer or service technician.
<b>Output #5 Error</b>	Error on Output 5.	Call installer or service technician.

SCREEN DISPLAY	INDICATION	OPERATOR SOLUTION
<b>Output #6 Error</b>	Error on Output 6.	Call installer or service technician.
<b>Keyswitch Override</b>	Override Key has been turned to the override position - key cannot be removed from the switch	Turn override key to position where key can be removed.
<b>Raise Fly Jib</b>	Hydraulic off settable fly angle needs to be closer to the selected offset - more towards the minimum offset.	Raise the fly jib towards minimum offset (0° is straight in line with main boom) - check program selection.
<b>Lower Fly Jib</b>	Hydraulic off settable fly angle needs to be closer to the selected offset - more towards the maximum offset.	Lower the fly jib towards maximum offset (45° is 45° below the straight line of the main boom) - check program selection.
<b>2nd Main A400 No Coms</b>	No communication between 2nd Main Angle board and Main A400/motherboard/display.	Call installer or service technician.
<b>Length Error</b>	Length potentiometer is reading below minimum allowed reading - 750-770 Counts.	Call installer or service technician.
<b>P/Tdx Bottom Error</b>	Bottom pressure transducer reading below 3.75mA – 5400 - 5410 counts.	Call installer or service technician.
<b>P/Tdx Top Error</b>	Top pressure transducer reading below 3.75mA – 5400 - 5410 counts.	Call installer or service technician.
<b>Extend Fly jib</b>	Hydraulically extendable fly length is shorter than the selected program.	Extend fly jib to the correct working length – check program selection.
<b>Retract Fly Jib</b>	Hydraulically extendable fly length is longer than the selected program.	Retract fly jib to the correct working length – check program selection.
<b>User Minimum Length Error</b>	Main boom length is less than the user selected minimum length setting.	Extend main boom or clear user selected minimum length.
<b>User Maximum Length Error</b>	Main boom length is greater than the user selected maximum length setting.	Retract main boom or clear user selected maximum length.
<b>User Minimum Radius Error</b>	Radius is less than the user selected minimum radius setting	Extend or lower main boom to increase working radius or clear user selected minimum radius.
<b>User Maximum Radius Error</b>	Radius is greater than the user selected minimum radius setting.	Retract or raise main boom to decrease working radius or clear user selected maximum radius.
<b>User Minimum Angle Error</b>	Boom angle is less than the user selected minimum angle setting.	Raise main boom or clear user selected minimum angle.
<b>User Maximum Angle Error</b>	Boom angle is greater than the user selected maximum angle setting.	Lower main boom or clear user selected maximum angle.

## WORKING OPERATIONS – FIGURE 16 & 17

As an operator, there are **EIGHT** different areas/places on the operating screen which can be pressed to initiate a function.



1. **The program selection** is the crane graphic on the screen. If at any given time the current program needs to be changed, press on the crane graphic and this will return to the first selection as if powering up for the first time. For example, if the crane is working Main Boom on Outriggers and now needs to work on tyres, immediately change the program to Main Boom on Rubber as the cranes rated capacities and limits will be different.

*Note: In certain circumstances Program Lockout has been enabled which allows one Main Program and one Auxiliary Program with a fixed reeving for each. See program lockout.*



2. **The buzzer override** which is located in the **bottom left** of the screen; it will only be displayed 5 seconds after an error condition occurs. When the buzzer override is pressed the AMBER BLOCK will flash intermittently a red cross will be placed through the picture of the buzzer and the buzzer will shut off.



The buzzer override is needed for each alarm condition i.e. if one error has been overridden and another occurs the buzzer will sound again.



3. **The Tare** which is activated by pressing directly on the lifted load when a load is displaying on the hook. The Lifted Load will be zeroed allowing for a reading excluding the original weight. The original weight is still taken into account when calculating the percentage of utilization therefore the TS7000 will still give the correct 90% and 100% warnings. Once pressed the numbers under the lifted load will flash showing no value, only 0,0t and the GREEN BLOCK will flash intermittently. Thereafter, if a load is lifted, only the load lifted will be displayed and not the load together with hook block or any other additional weight. To return to the actual load, press the lifted load again, it will stop flashing showing the actual load on the hook.



4. **The momentary override** which is the utilisation bar graph on the screen. By holding your finger anywhere in this area the dump solenoids (lever cut-off) can be overridden momentarily (while pushing on the screen in that area) to allow the crane to be folded up.

*Note: This function can only be used if activated by the installer.*

5. **Password Access** - This is accessed by pressing the top left hand corner. Once pressed a password screen will be displayed, enter the relevant password to access the required menu. To exit and return to the operator's screen press **Enter** button.
6. 1.0Knots **Wind Speed** – Press on the windspeed block to enter the wind speed setup (see Wind Speed Setup).

*Note: This function can only be used if fitted & activated by the programmer/installer.*

7. **User Limit Setup** – Press the screen in the bottom left hand corner to access the User Limit Setup screen (Figure 16). Highlight the required limit to be set by pressing on the description, press the Select button to access the keypad and type in the limit that is required. Once all the limits have been set press the Back button to return to the working screen. To disable the limit highlight the limit by pressing on the description and press [Disable Limit] this will then put Disabled next to the description and the limit will now be disabled.



Figure 16

- Tele 1: 25 %  
Tele 2: 25 %  
Tele 3: 15 %  
8. **Tele 4: 15 % Boom Telescope Percentages** – To view the current boom percentages and lengths press the working screen where the percentages are displayed. The boom telescope percentage screen will be displayed (Figure 17) with current lengths and percentages. To exit back to the normal working screen press anywhere on the screen.

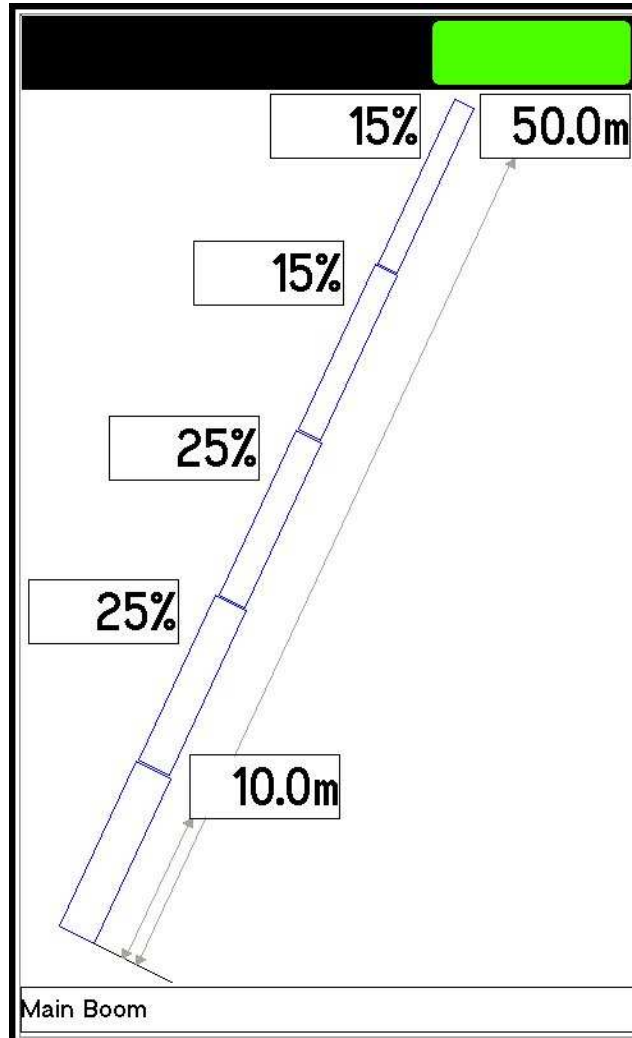


Figure 17

## INDICATING STATUS LIGHTS AND DUMP OUTPUT (LEVER CUT-OFF) - TABLE # 2

There are **Three BLOCKS** (RED, YELLOW & GREEN) that are illuminated like a traffic robot situated on the top of the display screen.



These BLOCKS are illuminated depending on the working state and error conditions. These BLOCKS are a basic way of checking the LMI.

The following chart gives you the BLOCK status, buzzer status as well as the status of the DUMP (Lever Cut-off). DUMP the crane will cut-out and NO DUMP you are able to work. To rectify or check the error, please check the error message chart (Table 1) on page 14 & 15.

**The GREEN BLOCK will be permanently on when the system is in the correct working condition i.e. no errors**

SYSTEM MESSAGE	BLOCK STATUS	DUMP STATUS	BUZZER STATUS
No Selection	ALL FLASHING	ON	INTERMITTENT
Slew Error	RED	ON	ON
High Angle	RED	ON	ON
Low Angle	RED	ON	ON
Length Exceeded	RED	ON	ON
Extend Boom	YELLOW	OFF	MEDIUM
M400 NC	RED	ON	ON
Anti-2-Block	RED	ON	ON
Anti-2-Block Fly	RED	ON	ON
Main A400 NC	RED	ON	ON
Aux A400 NC	RED	ON	ON
Overload	RED	ON	ON
≥90% Loading	YELLOW	OFF	MEDIUM
Telesequence Error	RED	ON	ON
R400 NC	RED	ON	ON
No Load Chart Data	RED	ON	ON
No Moment Value	RED	ON	ON
Tilt Error X Axis	RED	ON	ON
Tilt Error Y Axis	RED	ON	ON
Anti-2-Block Short	RED	ON	ON
Anti-2-Block Fly Short	RED	ON	ON
A400 Tilt NC	RED	ON	ON
O/R Front Left Err	RED	ON	ON
O/R Front Right Err	RED	ON	ON
O/R Rear Left Err	RED	ON	ON
O/R Rear Right Err	RED	ON	ON
Main Dump Short	RED	ON	ON
Main Dump Open	RED	ON	ON
Output 2 Short	RED	ON	ON
No Dump Supply	RED	ON	ON
Keyswitch Override	RED	ON	ON

SYSTEM MESSAGE	BLOCK STATUS	DUMP STATUS	BUZZER STATUS
A400 Windspeed NC	RED	ON	ON
Rope Overload	RED	ON	ON
Maximum Windspeed	RED	OFF	ON
Output 3 Short	RED	ON	ON
Output 3 Open	RED	ON	ON
Output 4 Short	RED	ON	ON
Output 4 Open	RED	ON	ON
Output 4 Error	RED	ON	ON
Output 5 Error	RED	ON	ON
Output 6 Error	RED	ON	ON
Keyswitch Override	RED	ON	ON
Raise Fly	RED	ON	ON
Lower Fly	RED	ON	ON
2nd Main A400 NC	RED	ON	ON
Twin Length A400 NC	RED	ON	ON
Length Error	RED	ON	ON
P/Tdx Bottom Error	RED	ON	ON
P/Tdx Top Error	RED	ON	ON
Extend Fly	RED	ON	ON
Retract Fly	RED	ON	ON

**NOTES:**

- The **YELLOW BLOCK** will flash when buzzer override is activated, and if a new error occurs the buzzer will be reactivated and will have to be overridden again.
- The **green BLOCK** will flash when TARE function is used and the crane is within the limits specified by the manufacturer, if not normal errors will resume.

## TOUCH SCREEN CALIBRATION – FIGURES 18, 19 & 20

*If the touch screen is not responding correctly to touch the touch screen may need to be calibrated.*

Switch the TS7000 system power off then power up the TS7000 and wait for the splash screen (Figure 18) to appear.

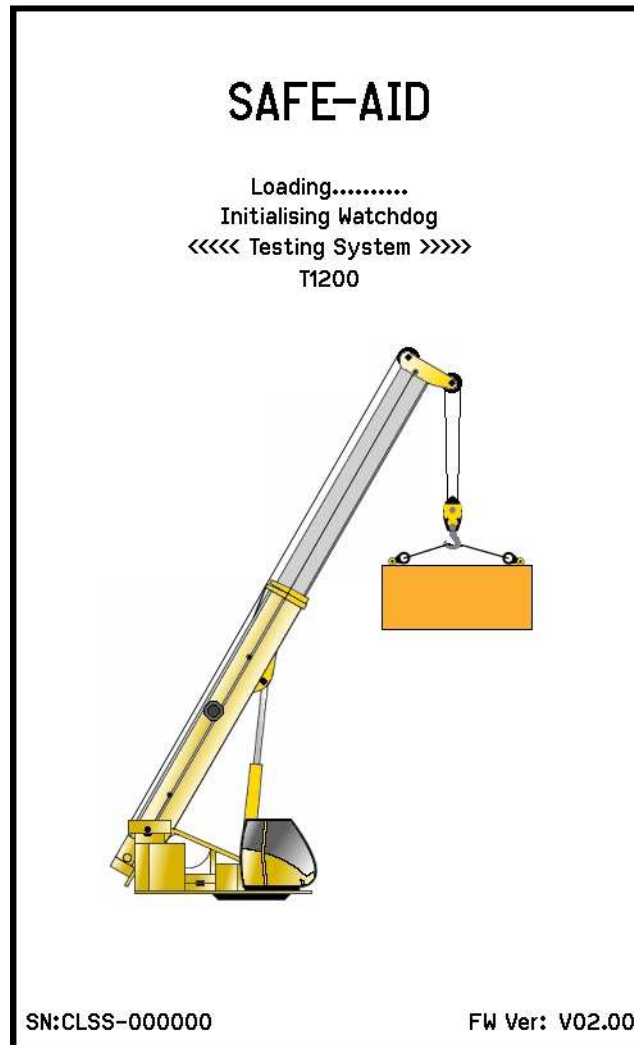


Figure 18

While the splash screen is on, press and hold the screen for five full seconds in the centre until the touch calibration is activated and loaded (Figure 19).

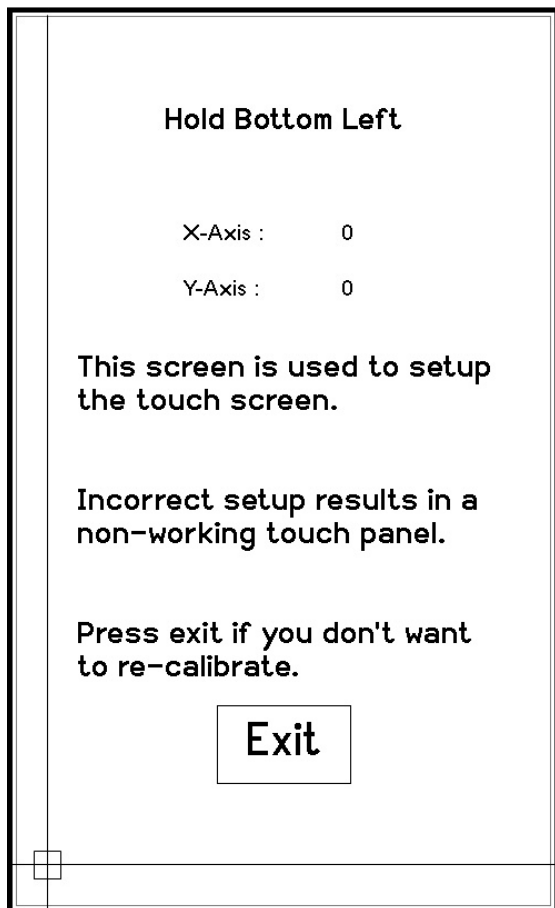


Figure 19

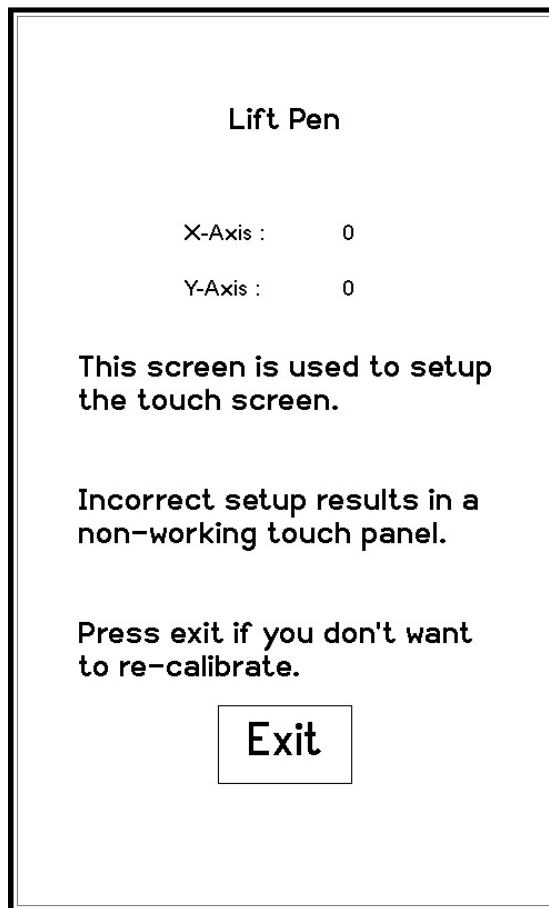


Figure 20

If the calibration screen has been entered by accident and touch calibration is not necessary, press the **Exit** button without pushing anywhere else on the screen. This process exits the touch screen calibration and continues with the standard start up procedure.

If touch calibration is required follow the below procedures:

Press and hold finger where the two lines meet inside the small box (Figure 19 bottom left hand corner). Calibration works fine when using a finger but for better results use a pen taking care not to press too hard or the screen will be damaged.

Hold finger/pen in this area until prompted to lift (Figure 20). The software will then prompt for three more touch zones resulting in co-ordinates for all four corners of the screen.

Once calibration is complete the software automatically begins the standard start up procedure.

## WIND SPEED SETUP – FIGURES 21, 22 & 23

Live wind speed is shown on the screen permanently (figure 21) but the units of measure and the maximum wind speed can be adjusted on the screen using the following steps:

1. To access the wind speed menu from the operating screen press the block where the current wind speed is displayed, a **Password** screen will be displayed (figure 22).
2. Enter the four digit password [ - - - ] followed by the **Enter** button the Set Limit screen will be displayed (figure 23).

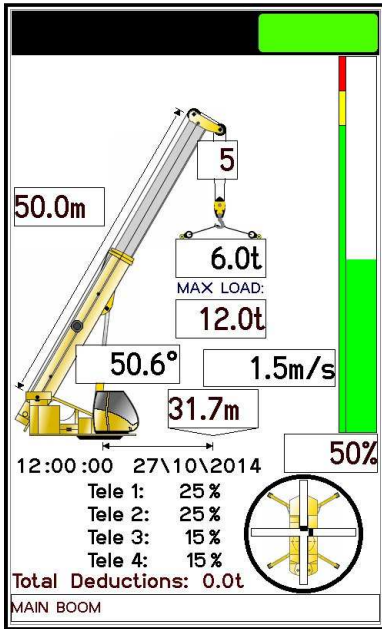


Figure 21

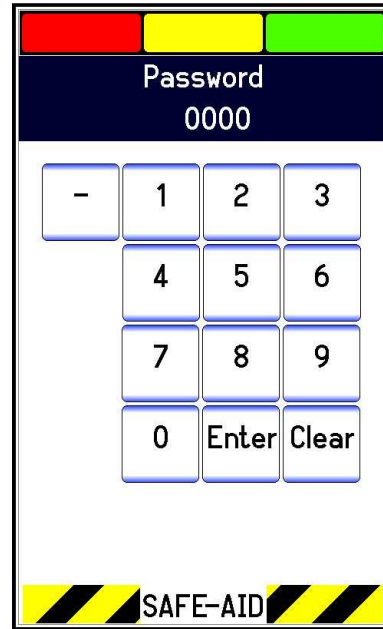


Figure 22

3. Change the units of measure by pressing the blue area of the screen where Set Limit and the limit value are written. The units of measure will change each time the area is pressed i.e. m/s – meters per second, kts - knots, mph – miles per hour and km/h – kilometers per hour.
4. Once you have selected the correct units of measure use the keypad to type in the limit value required then press **Enter**.

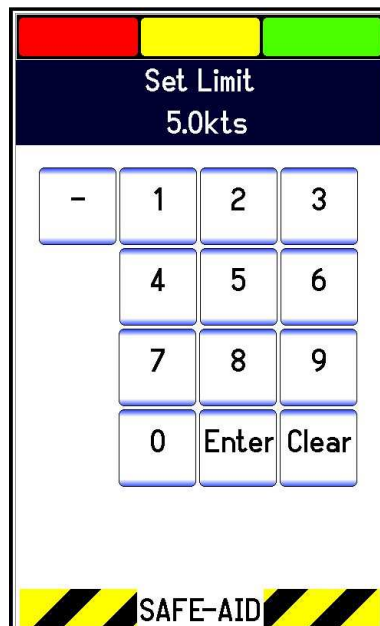


Figure 23

## PROGRAM & REEVING LOCKOUT - FIGURES 24, 25, 26 & 27

Programs and reeving can be locked (fixed) to only allow one main program, one auxiliary program, fixed main reeving and a fixed auxiliary reeving by accessing **Program Lockout**.

Use the following steps to lockout programs as required:

1. Press the top left hand corner and the **Password** screen will be displayed (figure 24).
2. Enter the four digit password [ - - - - ] followed by the **Enter** button, the Program Lockout screen will be displayed (figure 25).

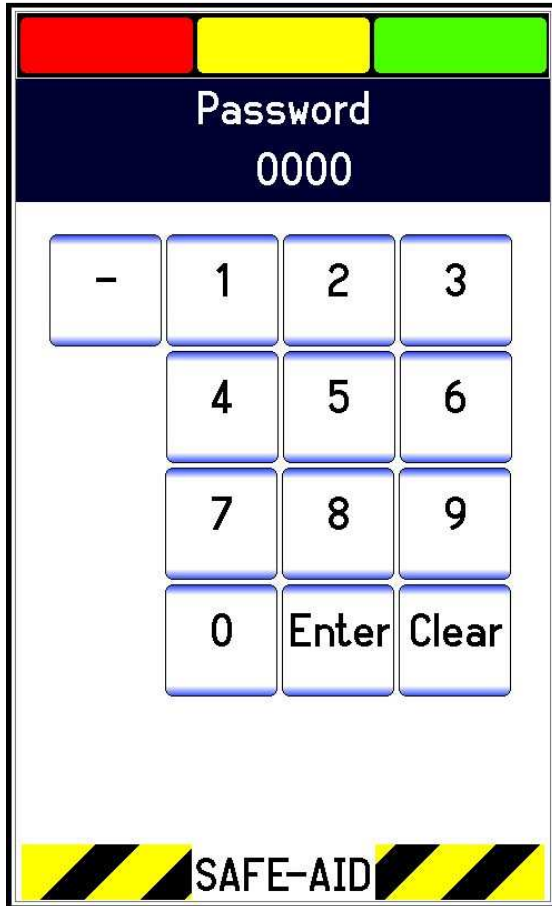


Figure 24

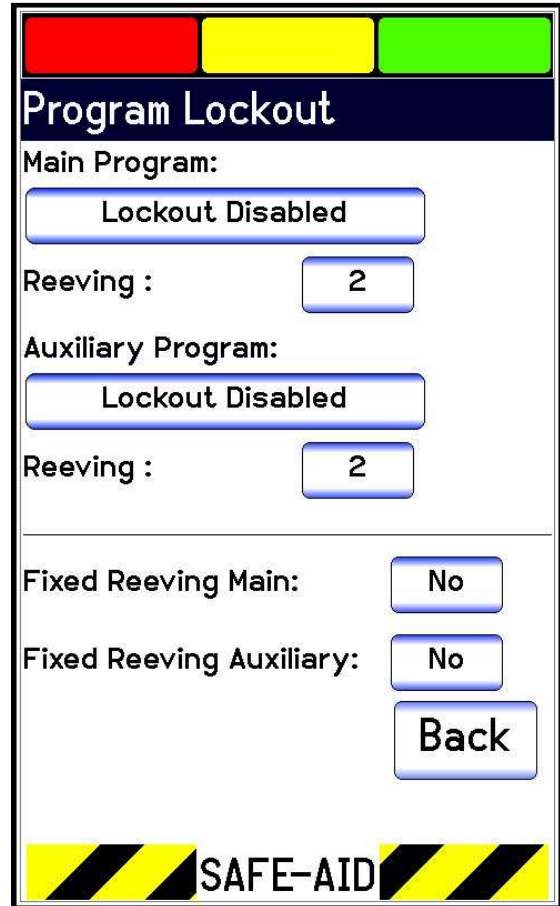




Figure 25

3. To lock or cancel a locked program select either button below the Main or Auxiliary Program, **Enable Lockout** screen (figure 26) will be displayed.

4.  Select **No** - the screen will to return back to the Program Lockout screen and **Lockout Disabled** will be displayed in the selected button (figure 25). Repeat this for main and auxiliary programs if all programs are to have access.

5.  Select **Yes** - the complete list of programs for the relative winch will be displayed. Select the required program followed by the Enter button e.g. MAIN BOOM (figure 27) Repeat this for the second winch if required.

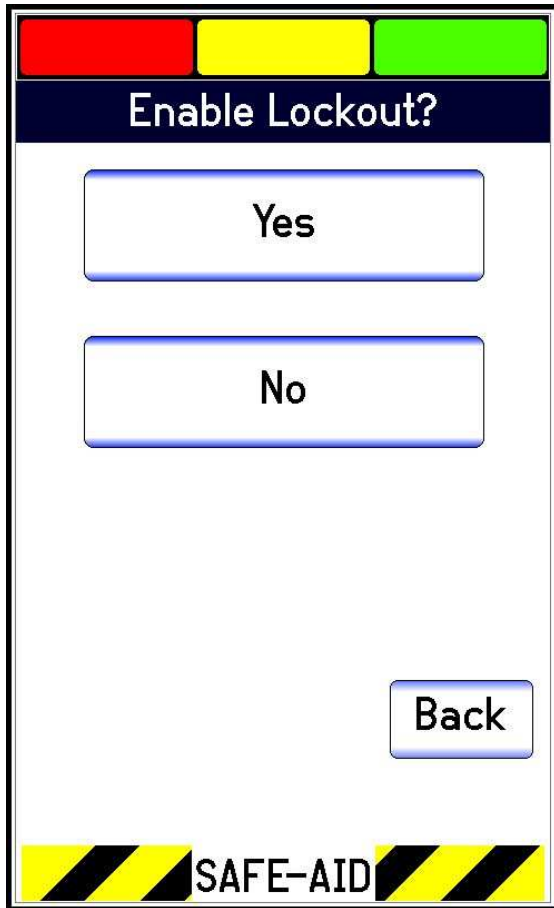


Figure 26

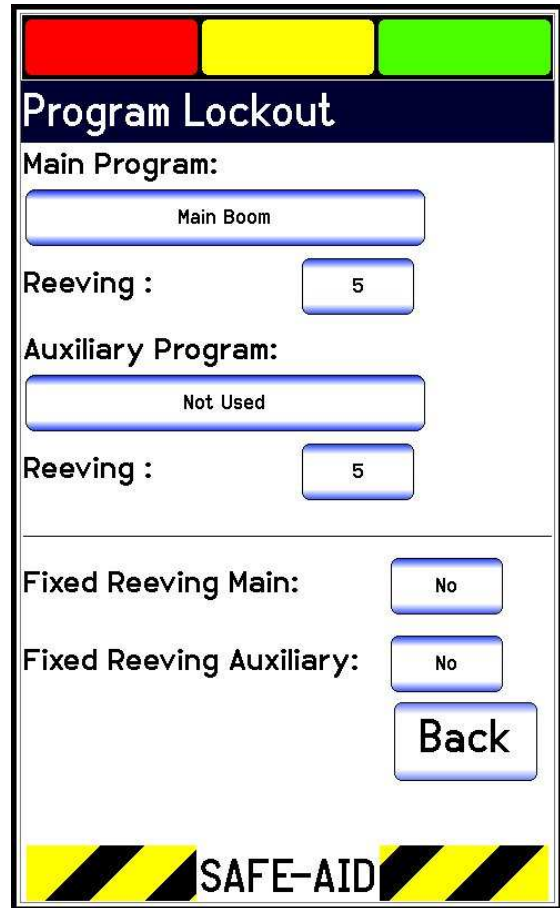


Figure 27

Use the following steps to lockout reeving as required:

1. Press the top left hand corner and the **Password** screen will be displayed (figure 24).
2. Enter the four digit password [ - - - ] followed by the **Enter** button, the Program Lockout screen will be displayed (figure 25).

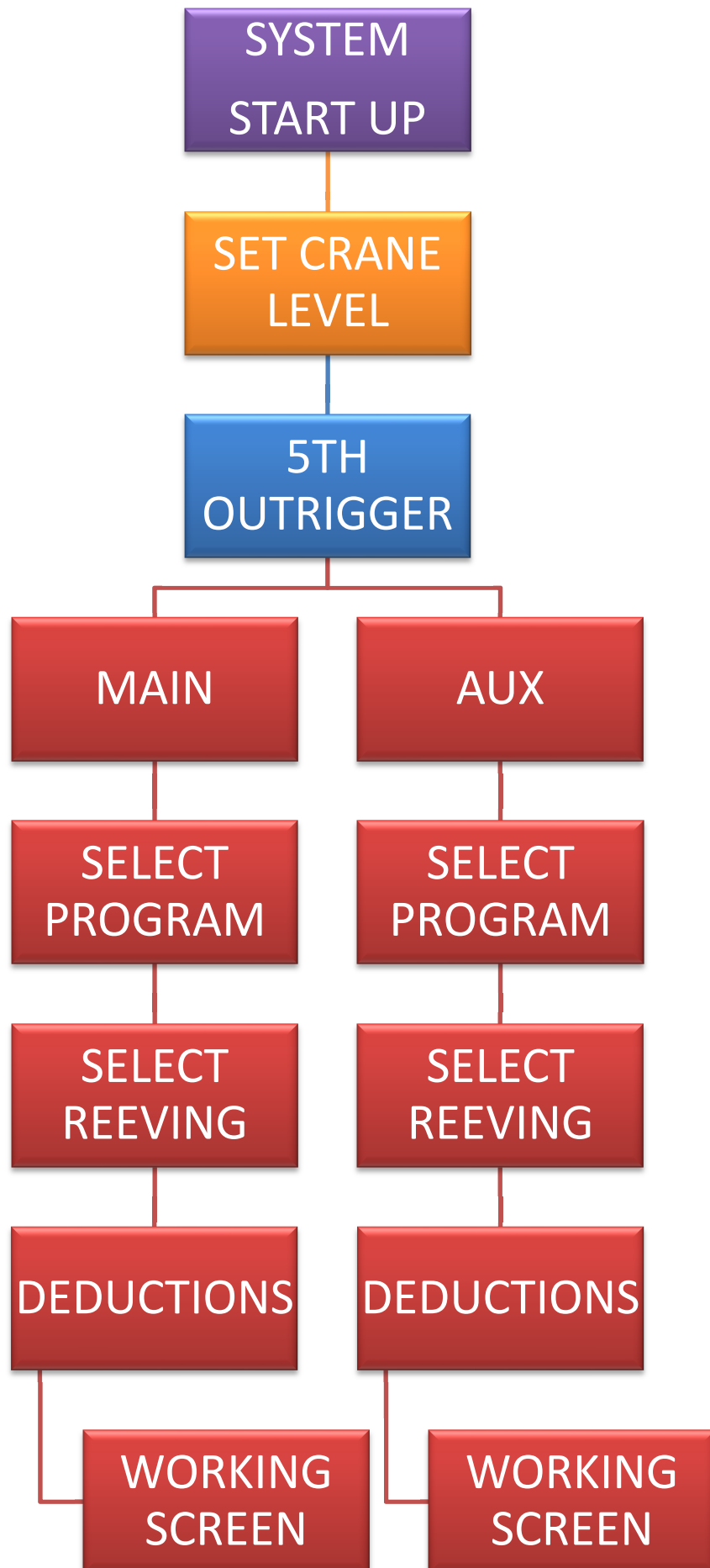
3. **Reeving :**  To fix the reeving, set the required winch reeving to the fixed number of reeves required.

4. **Fixed Reeving Main:**  To fix the reeving to the number previously set, press on the button next to the required winch to change from **No** to **Yes**.

5. **Fixed Reeving Auxiliary:**  To allow the reeving to be user selectable, press on the button next to the required winch to change from **Yes** to **No**.

Once all the Lockout settings have been confirmed press the **Back** button to return to the operating screen.

## QUICK USE FLOW CHART



**This page is  
intentionally  
left blank**

